

Support and Solidity

Square board made of 100% Ponderosa Pine wood,
available in rounded or smooth edge versions.

Format

Square Stud
Round Stud

Uses and Applications

Interior
Exterior
Furniture
Construction

Benefits

Multifunctional.
Easy to adapt in constructions.
Excellent as support during shoring.
Ideal for structural walls.



Visit our portfolio
by scanning this QR code

A) BENEFITS

- Multifunctional product that can be used in the construction, elaboration of packages and furniture.
- It is bathed with industrial fungicide and caulked in water to avoid fungus and stains.

B) APPLICATIONS

- Indoor and outdoor use.
- Construction process applications.
- Packing.
- Furniture and decorative environments.
- Rustic finishes.

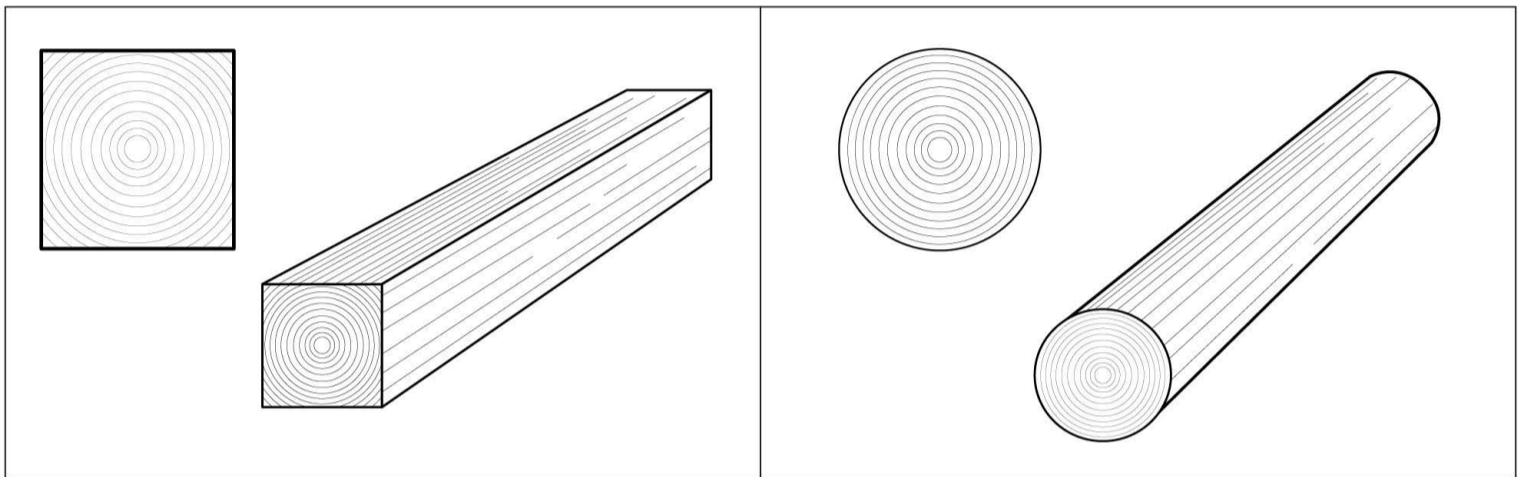
C) TECHNICAL SPECIFICATIONS

THICKNESS COMERCIAL	MEASURE	PIECES / UNIT	DIMENSIONS (LENGTH)
Square Stud	3 1/4 " +/- 1/4"	126	8' = 96" +/- 2 "
Round Stud	3 1/4 " +/- 1/4"	66	8' = 96" +/- 2 "

Product on request with FSC certification.

Square

Round



D) STORAGE AND HANDLING

- Maximum stowage height: 3 loads.
- Use spacers between load and load.
- Store indoors and in dry places.
- Keep in ventilated places.
- Do not expose to extreme temperatures or heat emitting sources.
- Do not stack directly on the floor.
- Do not stow vertically.

E) RECOMMENDATIONS

- **Manual cut:** Use a fine metal saw.
- **Cut with a jigsaw:** Use a fine tooth saw with sway control.
- **Saw cut:**
 - Use a motor with a minimum of 2 hp and 3,500 to 5,000 r.p.m.
 - Recommended to use tungsten carbide tooth.
 - Choosing a saw with a smaller diameter increases stability and cut quality.
 - Choose preferably between 48 and 72 teeth.
- **Drilling:** Use a high-speed drill with a straight-pointed steel bit.



The mark of responsible forestry

Note: Products available upon request FSC certification.